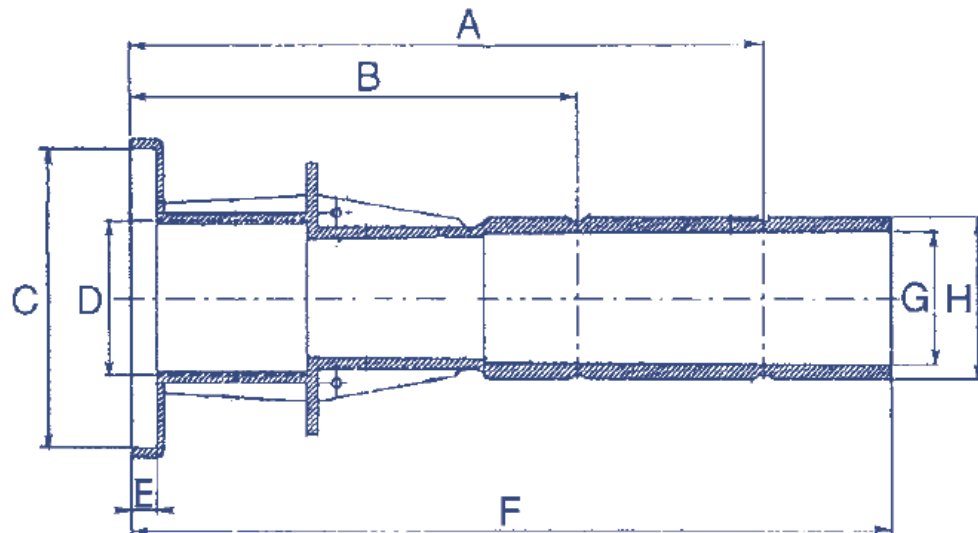


PRODUCTO: **PASAMUROS**
PRODUCT: **WALL CONDUIT**



Dimensions	Models			
	15663	15664	15662	15665
A	250	250	250	250
B	175	175	175	175
C	Ø118.5	Ø84	Ø118.5	Ø84
D	2"	2"	2"	2"
E	10	24	10	24
F	300	300	300	300
G	Ø50	Ø50	Ø50	Ø50
H	2"	2"	Ø63	Ø63